

All stainless steel process gauge open or solid front Model T5500 and T6500

According to EN 837-1

Nominal size 100 mm or 160 mm

Accuracy: Class 1 (DIN)



Features

- Rugged stainless steel construction
- Socket and case welded
- Protection IP54 and IP65
- Optional ATEX approved $\text{CE} \text{ Ex II 2 GD c}$
- Usable to full scale
- Overload protection 130 %
- Dry, liquid filled or liquid less (*PLUS!* gauge)
- Measuring system stainless steel or Monel
- Optional contacts

Ranges

-1 ... 0 bar up to 0 ... 2500 bar

-30 in. Hg ... 0 psi up to 0 ... 36.000 psi

Applications

Chemical and petrochemical industry

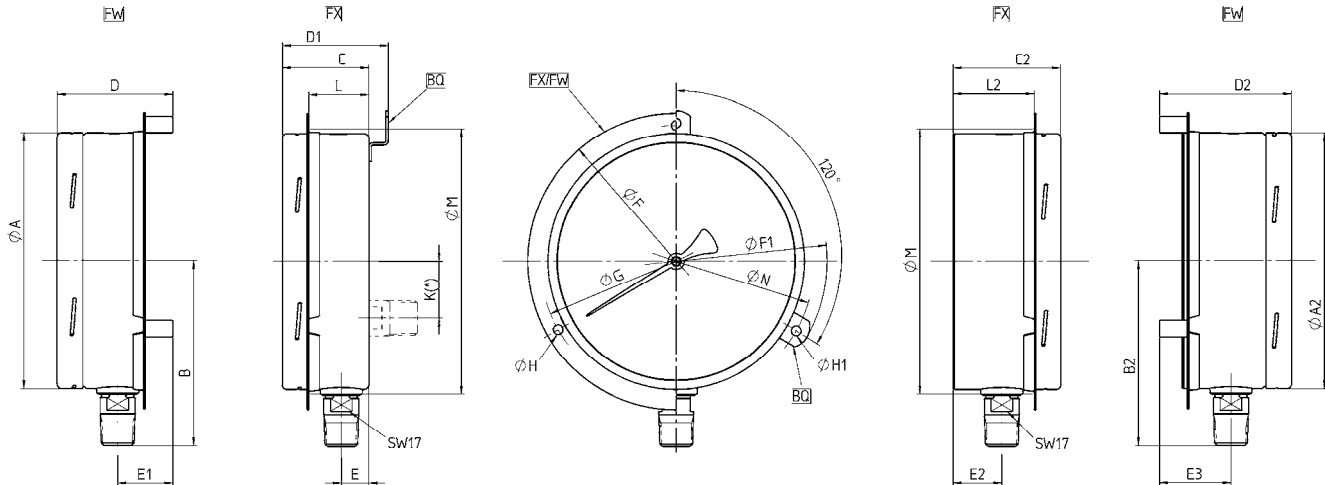
Machine and apparatus construction

Food and beverage industry

Pulp and paper industry

Technical specification	T5500		T6500	
	100	160	100	160
Dial size [mm]	100	160	100	160
Construction	Open front cylindrical case with blow out disc at the back		Solid front safety pattern cylindrical case with blow out at the back	
Measuring principle	Bourdon tube			
Range [bar]	0,6 1 1,6 2,5 4 6 10 16 25 40 60 100 160 250 400 600 1000			
Overpressure limit	130 % F.S., short time			
Pressure type	Gauge, vacuum and compound			
Process connection	G 1/4 B male, G 1/2 B male, G 3/8 B male according to EN 837, M20x1,5 male, R 1/2 male tapered (DIN 2999), 1/2" male straight (JIS, BSP), 3/8" male straight (JIS, BSP), 1/4 NPT male, 1/2 NPT male according to ANSI/ASME B1.20.1, 9/16-18 UNF-2B Aminco (high pressure), Others on request (for pressure limitations see order information)			
Connection location	Lower, back		Lower only	
Material	Stainless steel 316L (1.4404), optional Monel			
Pressure connection	Stainless steel 316L (1.4404), optional Monel, > 1000 bar Ni Span			
Tube	Stainless steel 304 (1.4301), optional 316L (1.4404)			
Case/bayonet ring	Instrument glass, optional laminated safety glass or Laminated safety glass, optional acrylic glass			
Window	acrylic glass			
Dial	Aluminum, black markings on white background			
Pointer	Aluminum, black, optional micrometer adjustment, red set hand or maximum pointer			
Movement	Stainless steel 304/303 (1.4301/1.4305)			
Accuracy	Class 1 (1 % F.S.), optional 0,5 % F.S.			
Permissible				
Ambient temperature	-25 ... 60 °C			
Medium temperature	Max. 200 °C (dry), max. 100 °C (liquid filled)			
Storage temperature	-40 ... 60 °C			
Effect	Max. 0,3 % / 10 K			
Protection according to EN 60 529/IEC 529	IP54 (dry), IP65 (liquid filled), optional IP65 for dry gauges			
Conformity according to RL 94/9/EC appendix X for mechanical equipment in potential hazardous areas	Optional, Marking $\text{CE} \text{ Ex II 2 GD c}$ File no. 800314628 at notified body 0032, TÜV NORD CERT (only with safety glass and protection IP65 or liquid filling)		T4 (T _{amb} -20 ... 60 °C, T _{med} -20 ... 100 °C) T5 (T _{amb} -20 ... 60 °C, T _{med} -20 ... 70 °C) T6 (T _{amb} -20 ... 60 °C, T _{med} -20 ... 55 °C)	
Filling liquids	Glycerin, silicone, halocarbon, others on request Optional dampened movement (liquid less gauge), functions as liquid filled gauge (<i>PLUS!</i> gauge)			
Mounting	Standard stem, optional flush or surface, others on request			
Weight dry/filled [kg]	0,8/1,0	1,2/2,0	0,8/1,0	1,2/2,0
Accessories, options	Diaphragm seals, valves, gauges with contacts (see G1.K55/E), gauges with electrical output, NACE			

General dimensions [mm]



T5500

∅	A	B	C	D	D1	E	E1	F	F1	G	H	H1	K	K*	L	M	N
100	101	89	51	69	62	18,5	36,5	132	134	116	4,5	6	35	31	33	103	119
160	162	118	49	70	59	17	38	196	194	178	5	6	35	54	31	164	179

T6500

∅	A2	B2	C2	D2	E2	E3	F	G	H	H1	L2	M	N
100	101	89	61	76	26	41	132	116	4,5	6	42	103	119
160	158	118	66	80	30	44	183	168	6	6	50	161	179

K* = Bereich / range / échelle > 1000 bar oder / or / ou Material System / system material / matière élément D, M, P

Rev. J

Order information

Size	Type	System material	Execution	Process connection	Connection orientation	Range	Engineering units	Filling/Case material	Options
(100) 100 mm	T5500	(S) 316L (1.4404) ≤ 1000 bar	(D) IP54	(04) ½ NPT male ¹⁾	(L) Lower	-1/ 0 ¹⁾	(BAR)	(=) Standard no filling	(NH) Tagging wired
			(L) Liquid filled IP65	(02) ¼ NPT male ¹⁾	(B) Back ¹⁾	-1/ 1,5			(DA) Dial Marking
(160) 160 mm	T6500	(P) Monel 400 ≤ 1000 bar	(M) Monel 400 tube, 316L (1.4404) socket ≤ 1000 bar	(09) 9/16-18 UNF-2B Aminco	()	0/ 0,6 ²⁾	(GV) Silicone	(TU) Throttle plug stainless steel	
				(13) G ¼ B male ¹⁾		0/ 1 ¹⁾		(GV3) Silicone 3 cst	(6B) Oxygen cleaned (not for T5500 (open front) acc. EN 837-1)
				(14) G 3/8 B male ¹⁾		0/ 1,6		(GR) Glycerin	(MP) Micrometer pointer
				(15) G ½ B male ¹⁾		0/ 2,5		(GX) Halocarbon ¹⁾	(PD) Acrylic glass
				(16) M20x1,5 male ¹⁾		0/ 4		(YW) Case material 316L (1.4404)	(SG) Safety glass
				(KQ) R½ male tapered DIN 2999 ¹⁾		0/ 6		() Contact type and function (see G1.K55/E)	(FX) Front flange
				(KN) ½" male straight (JIS,BSP) ¹⁾		0/ 10		ATEX approved contact gauges only with inductive contacts.	(FW) Back flange
				(KP) 3/8" male straight (JIS, BSP) ¹⁾		0/ 16			(UF) U-clamp (not for T6500)
						0/ 25			(LJ) Field fillable (only for execution D, IP65)
						0/ 40			(AJ) Calibration 0,5 % F.S. (not for range < 1 bar and > 60 bar)
	0/ 100		(LL) Liquid less gauges (Halocarbon filling not allowed)						
	0/ 160		(NS) Liquid less gauges, silicon free (not for execution L)						
	0/ 250		(PR) Receiver gauge						
	0/ 400		(AT4) ATEX listed, T4						
	0/ 600		(AT5) ATEX listed, T5						
	0/1000		(AT6) ATEX listed, T6						
	0/1600								
	0/2500								

How to order

Size	Type	System material	Execution	Process connection	Connection orientation	Range	Engineering unit	Filling/Case material	Option
100	T5500	S	D	15	L	0/16	BAR	YW	NH

Ashcroft Instruments GmbH

Germany
Max-Planck-Straße 1, D-52499 Baesweiler
P.O. Box 11 20, D-52490 Baesweiler
Tel.: +49 (0) 2401 808-0, Fax: +49 (0) 2401 808-125

France
„206“ ZA Le Mandinet Rue des Campanules
F-77185 Lognes
Tel.: +33 (0) 1 60 37 25 30, Fax: +33 (0) 1 60 37 25 39

Website: www.ashcrofteuropa.com e-Mail: sales@ashcrofteuropa.com

United Kingdom
Unit 5 William James House
Cowley Road, Cambridge CB4 0WX
Tel.: +44 (0) 12 23 39 55 00, Fax: +44 (0) 12 23 39 55 01