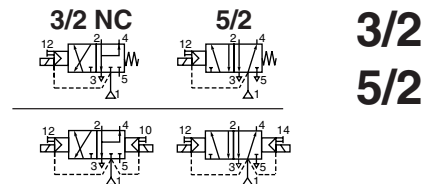


Series 551  
552 - 553  
NAMUR

**SOLENOID VALVE**  
with NAMUR interface  
for piloting quarter turn valve actuators



**FEATURES**

- ASCO/JOUCOMATIC solenoid valves satisfy all relevant EC Directives
- The spool valves have threaded port connections and "NAMUR" style interface
- The same spool valve can be adapted for 3/2 NC or 5/2 functions for controlling double-acting and single-acting actuators
- All the exhaust ports of this spool valve are pipable, providing better environmental protection, particularly recommended for sensitive areas such as clean rooms, and applications in the pharmaceutical and food processing sectors
- The valves offer environmental protection against the ingress of liquids, dusts or any other foreign matter (environmental-protected construction)
- Epoxy moulded coil for general service applications

**GENERAL**

**Differential pressure** 2 - 10 bar [1 bar = 100 kPa]  
**Flow (Qv at 6 bar)** 1/4 = 700 l/min (ANR)  
3/8 - 1/2 = 3000 l/min

fluids (*)	temperature range (TS)	seal materials (*)
air, inert gas, filtered	-25°C to +60°C	NBR (nitrile) + PUR (polyurethane)

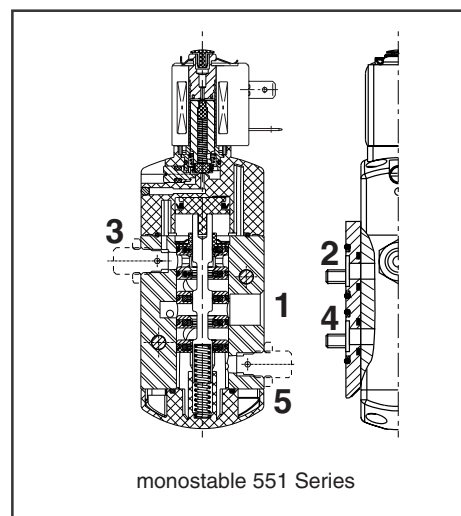
**MATERIALS IN CONTACT WITH FLUID**

(\*) Ensure that the compatibility of the fluids in contact with the materials is verified

**Body** Aluminium, black anodized  
**End covers + interface plates** Glass-filled polyamide  
**Internal parts** Zamak, stainless steel, acetal (POM), aluminium  
**Sealing** NBR + PUR  
**Core and core tube** Stainless steel  
**Shading coil** Copper

**ELECTRICAL CHARACTERISTICS**

**Coil insulation class** F  
**Connector specification** DIN 43650, 11 mm, industry, standard B (type 01) or ISO 4400 (type 02)  
**Connector** Spade plug (cable Ø 6-8 mm or Ø 6-10 mm)  
**Electrical safety** IEC 335  
**Standard voltages** DC (-) : 24V  
(Other voltages and 60 Hz on request) AC (~) : 24V - 115V - 230V / 50 Hz



prefix option	power ratings				operator ambient temperature range (TS) (°C)	safety code	electrical enclosure protection (EN 60529)	replacement coil		type (1)
	inrush ~ (VA)	holding ~ (VA) (W)		hot/cold = (W)				230 V / 50 Hz	24 V DC	
		(VA)	(W)							
SC	15	7	5	5/6,9	-25 to +60	EN 60730	moulded IP65	43004649	43004647	02
SCDU	15	7	5	5/6,9	-25 to +60	II 3 D IP65 T 135°C	moulded IP65	-	-	02
SC	6	3,5	2,5	2,5/3,0	-25 to +60	EN 60730	moulded IP65	43004886	43004869	01
SCDU	6	3,5	2,5	2,5/3,0	-25 to +60	II 3 D IP65 T 100°C	moulded IP65	-	-	01

**SPECIFICATIONS**

pipe size	orifice size	flow coefficient Kv		operating pressure differential (bar)				type (1)	catalogue number
				min.	max. (PS)		~/=		
					air (*)				
(G)	(mm)	(m³/h)	(l/min)		~	=			
<b>Solenoid air pilot operated - spring return (monostable)</b>									
1/4	6	0,60	10	2	10	10		01	SC G551A001
3/8	12	2,49	41,5	2	10	10		02	SC G552A001
1/2	13	2,49	41,5	2	10	10		02	SC G553A001
<b>Solenoid air pilot operated and return (bistable)</b>									
1/4	6	0,60	10	2	10	10		01	SC G551A002
3/8	12	2,49	41,5	2	10	10		02	SC G552A002
1/2	13	2,49	41,5	2	10	10		02	SC G553A002

(1) Refer to the dimensional drawings on page 2.

### OPTIONS

- Versions: pneumatic operated, spring return - codes **G551A101** (1/4); **G552A101** (3/8); **G553A101** (1/2)  
dual pneumatic operated, air return - codes **G551A102** (1/4); **G552A102** (3/8); **G553A102** (1/2)
- Other pipe threads are available on request (For NPT ANSI 1.20.3, refer to the "Pilot Valves for the Process industry" catalogue)
- Coil type CM25 with connector type 30 ISO 4400 (Pg 11P)
- Polyamide coil
- Dustproof ATEX (Prefix "SCDU") with a coil and spade plug connector with lead (2 m lead), **TPL 20651**
- Compliance with "UL" standard is available on request
- Set of stainless steel mounting screws, catalogue number **978 02 212** (Series 551)
- Set of two exhaust reducers, G1/8, catalogue number **881 00 344** (Series 551)
- Magnetic latch execution for 551 series, TPL 20649
- Suffix available: **GD** (air operated only, ATEX 2G/D c); **MS** (screw type manual operator)
- Plug with visual indication and with peak voltage suppression or with cable length of 2m (see section 11)

### INSTALLATION

- The solenoid valves and air operated valves can be mounted in any position without affecting operation
- It is necessary to connect pipes or fittings to the exhaust ports to protect the internal parts of the spool valve and its pneumatic operator if used outside or in harsh environments (dusts, liquids etc.)
- Spool valve supplied with two interface plates with NAMUR mating surfaces. Depending on function (NC 3/2 or 5/2), position one of the two plates on the spool valve body before installing on actuator
- Dowel pin (if necessary), bolts and gaskets are standard supplied
- Threaded pipe connection identifier is G = G (ISO 228/1)
- Installation/maintenance instructions are included with each valve

### ACCESSORIES

catalogue number	spare parts kit no.		exhaust protector bronze
	~	=	
G551....	-	-	(G1/8) <b>97701875</b>
G552....	-	-	(G3/8) <b>34600478</b>
G553....	-	-	(G1/2) <b>34600479</b>

- Not available

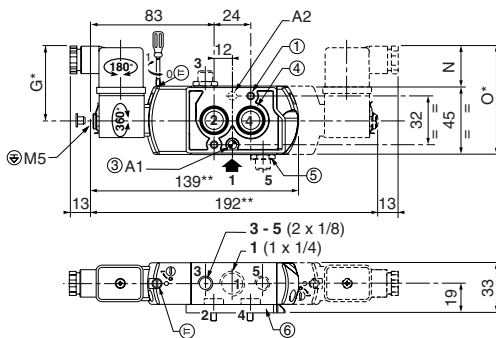
### ORDERING EXAMPLES:

	<b>SC</b>	<b>G 551 A 001 MS</b>	<b>230V / 50 Hz</b>
	<b>SCDU</b>	<b>G 551 A 002</b>	<b>115V / 50 Hz</b>
prefix	_____	_____	_____
pipe thread	_____	_____	_____
basic number	_____	_____	_____
			voltage
			suffix

### DIMENSIONS (mm), WEIGHT (kg)

**TYPE 01**  
Prefix "SC" and «SCDU» Solenoids  
Epoxy moulded  
IEC 335 / 3 x DIN 46244 - IP65  
II 3 D IP65 T 85°C to T 135°C

**551A001 / A001 MS / A002 / A002 MS**



- 1 2 mounting holes 5.3 mm dia.; Spotfacing: 9 mm dia., depth 5 mm
- 2 2 mounting holes 6.5 mm dia., Spotfacing: 11 mm dia., depth 6 mm
- 3 One 5 mm (Series 551) dia. hole for dowel pin: - in position A1: 3/2 NC function plate (Series 551)  
- in position A2: 5/2 function plate (Series 551)
- 4 2 O-ring seals (supplied)
- 5 Exhaust reducers G 1/8 (Series 551) or protectors adaptable on orifices 3 and 5
- 6 Interface plates
- 7 One 6,5 mm (Series 552-553) dia. hole for dowel pin. Same position for interface plate 3/2NC or 5/2

\* + 15 mm for connector removal \*\* + 35 mm for coil removal

type	prefix option	G	I	N	O	P	Q	weight <sup>(1)</sup>	
								monost.	bistable
01 (551)	SC/SCDU	49	-	27	72	-	-	0,34	0,46
02 (552)	SC/SCDU	56,2	129,3	20	92,3	29,6	29,7	0,91	1,21
02 (553)	SC/SCDU	56,2	130,3	20	92,3	31,6	31,8	0,90	1,20

<sup>(1)</sup> Incl. coil(s) and connector(s), 01 and 02 types

All leaflets are available on: [www.ascojoucomatic.com](http://www.ascojoucomatic.com)